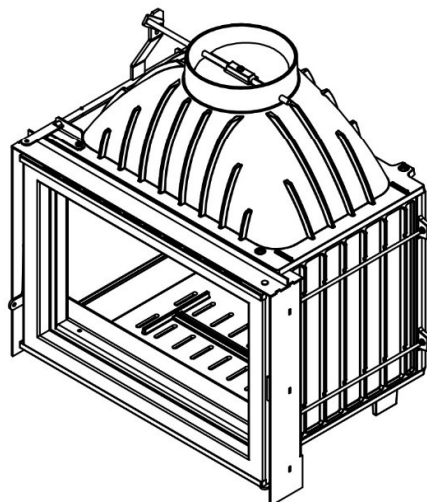
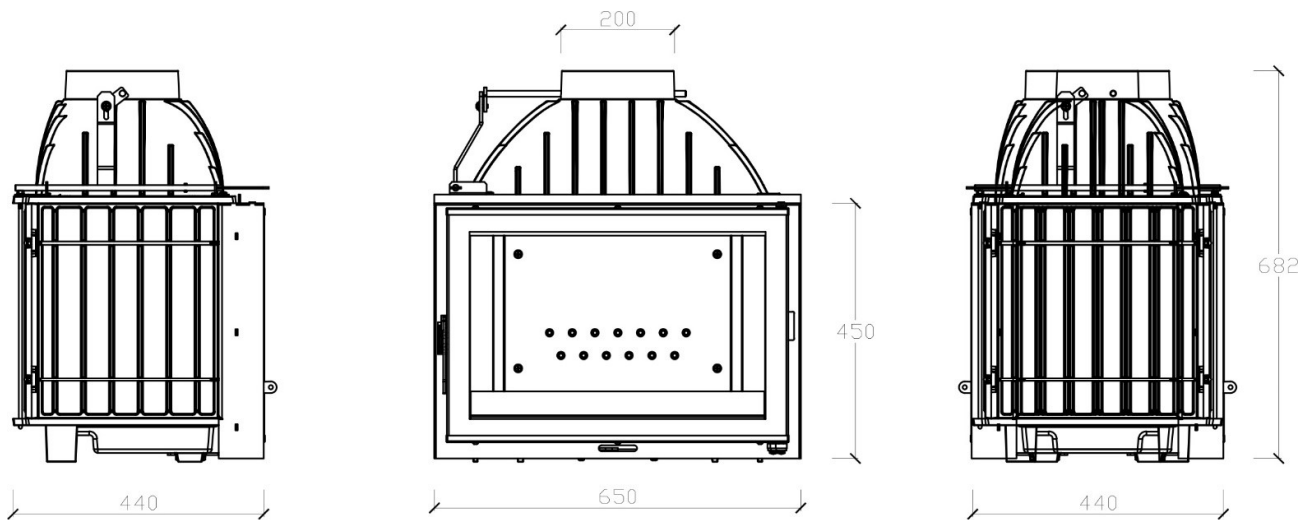


TOMARA

C S 650 FRONT

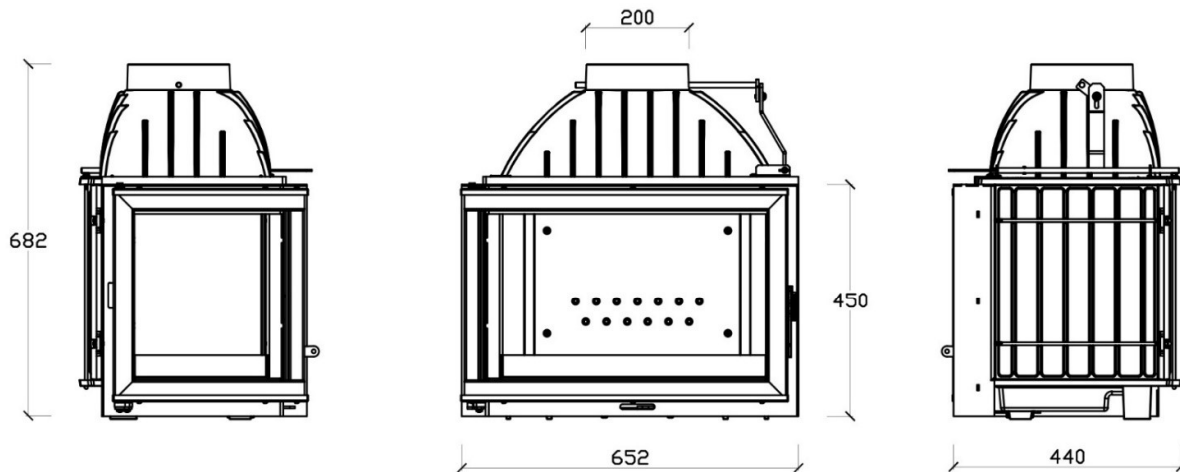
OPTIMAL POWER	9 KW
HEATING VOLUME	125 m ³ / 275 m ³
HEATING AREA	50 m ² / 110 m ²
GREEN FLAME	7 *
DESIGN	MODERN
CHIMNEY DIAMETER	200 mm
RAW METERIAL	CAST IRON / STEEL
PAINT	ANTHRACITE
GLASS	CERAMIC 750 C
DIMENSIONS	650 mm / 440 mm / 682 mm
GUARANTEE	5 YEARS
COMBUSTIBLE	WOOD
WEIGHT	101 KG



TOMARA

C S 650 CORNER LEFT

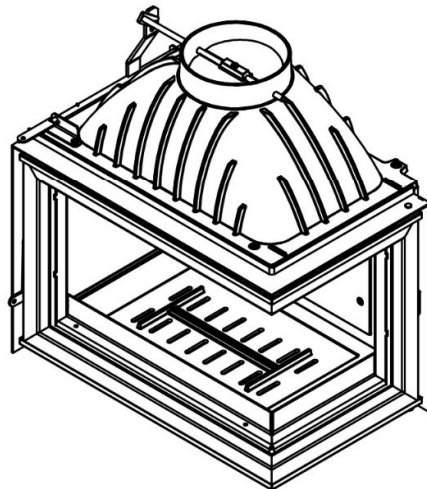
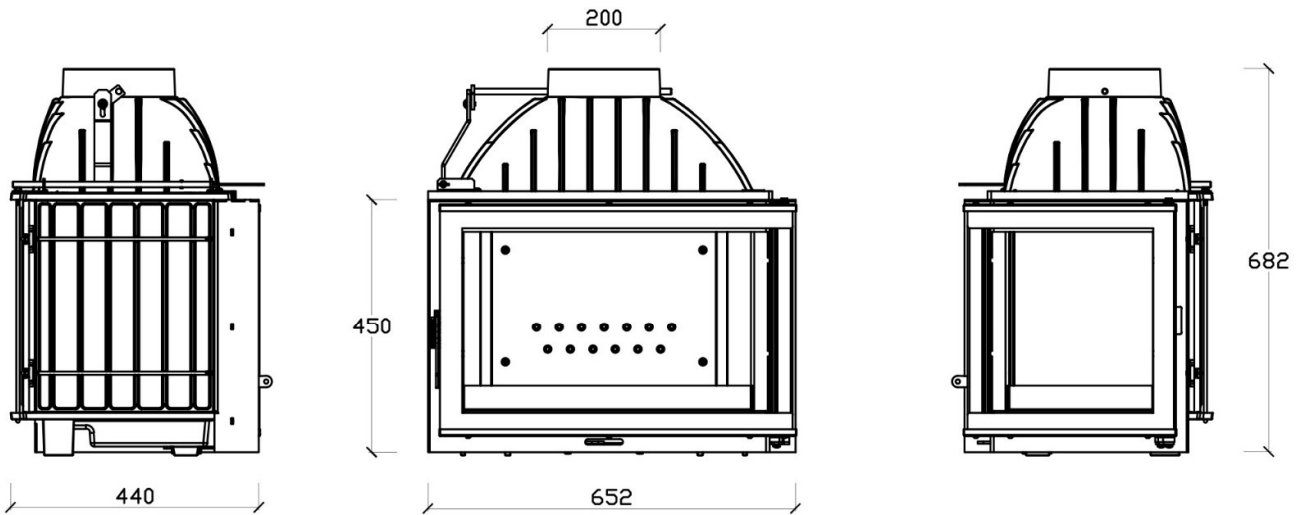
OPTIMAL POWER	9 KW
HEATING VOLUME	125 m ³ / 275 m ³
HEATING AREA	50 m ² / 110 m ²
GREEN FLAME	7 *
DESIGN	MODERN
CHIMNEY DIAMETER	200 mm
RAW METERIAL	CAST IRON / STEEL
PAINT	ANTHRACITE
GLASS	CERAMIC 750 C
DIMENSIONS	652 mm / 440 mm / 682 mm
GUARANTEE	5 YEARS
COMBUSTIBLE	WOOD
WEIGHT	98 KG



TOMARA

C S 650 CORNER RIGHT

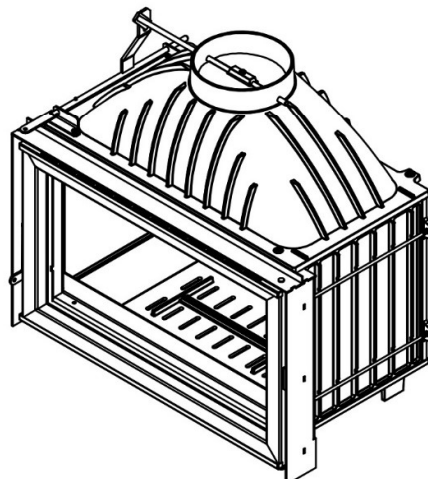
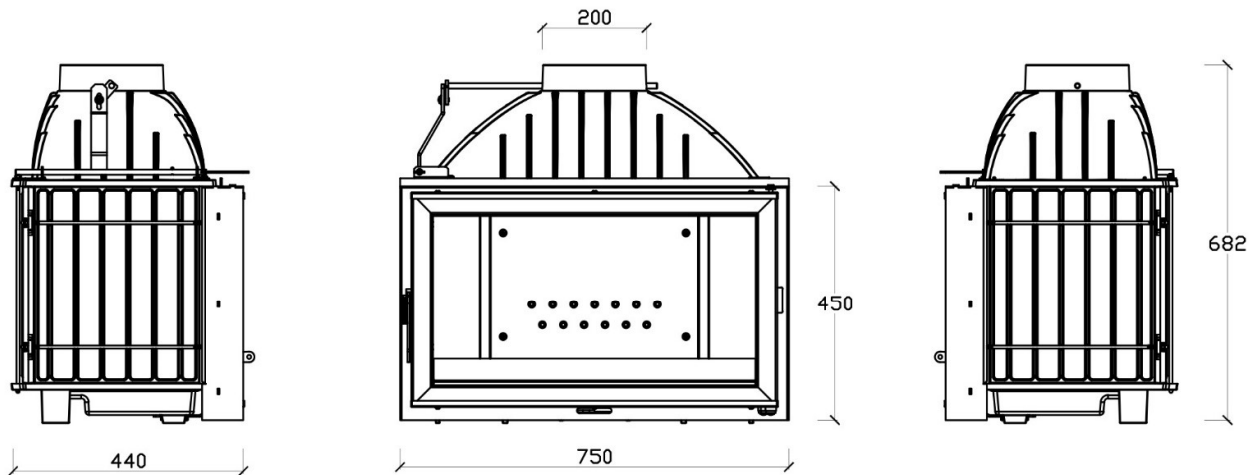
OPTIMAL POWER	9 KW
HEATING VOLUME	125 m ³ / 275 m ³
HEATING AREA	50 m ² / 110 m ²
GREEN FLAME	7 *
DESIGN	MODERN
CHIMNEY DIAMETER	200 mm
RAW METERIAL	CAST IRON / STEEL
PAINT	ANTHRACITE
GLASS	CERAMIC 750 C
DIMENSIONS	652 mm / 440 mm / 682 mm
GUARANTEE	5 YEARS
COMBUSTIBLE	WOOD
WEIGHT	98 KG



TOMARA

C S 750 FRONT

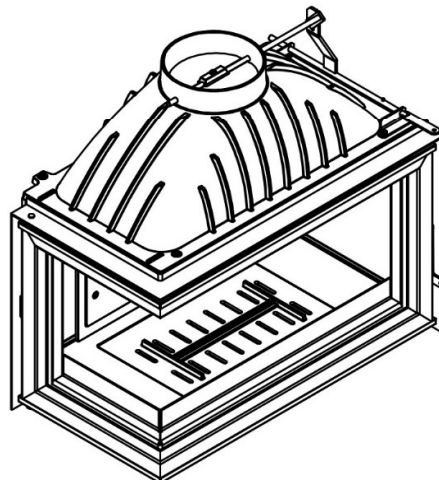
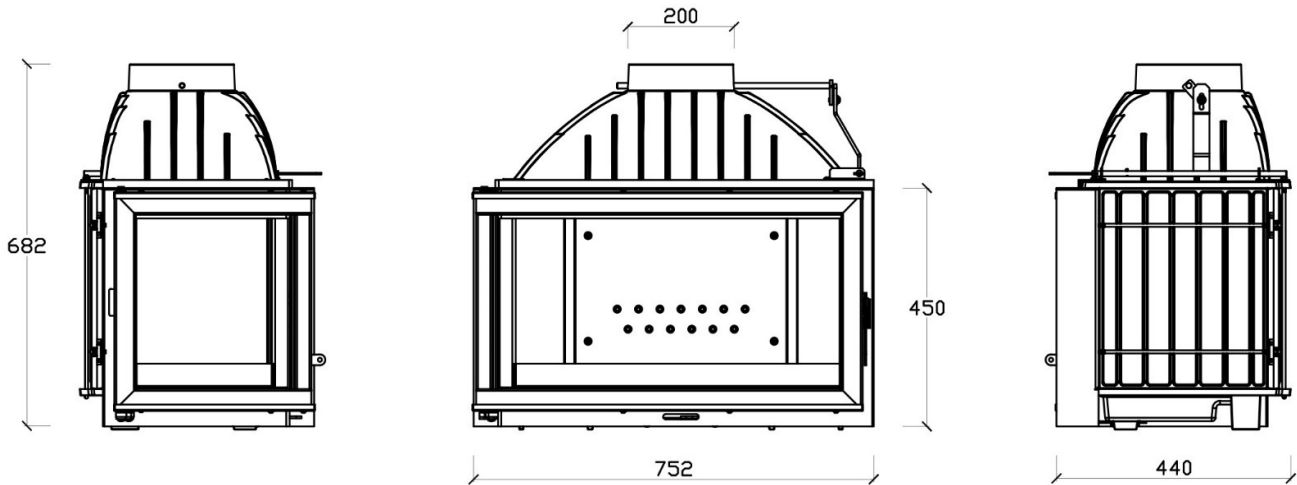
OPTIMAL POWER	11 KW
HEATING VOLUME	150 m ³ / 330 m ³
HEATING AREA	65 m ² / 140 m ²
GREEN FLAME	7 *
DESIGN	MODERN
CHIMNEY DIAMETER	200 mm
RAW MATERIAL	CAST IRON / STEEL
PAINT	ANTHRACITE
GLASS	CERAMIC 750 C
DIMENSIONS	750 mm / 440 mm / 682 mm
GUARANTEE	5 YEARS
COMBUSTIBLE	WOOD
WEIGHT	110 KG



TOMARA

C S 750 CORNER LEFT

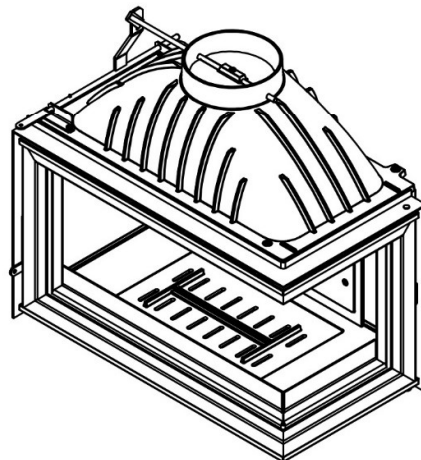
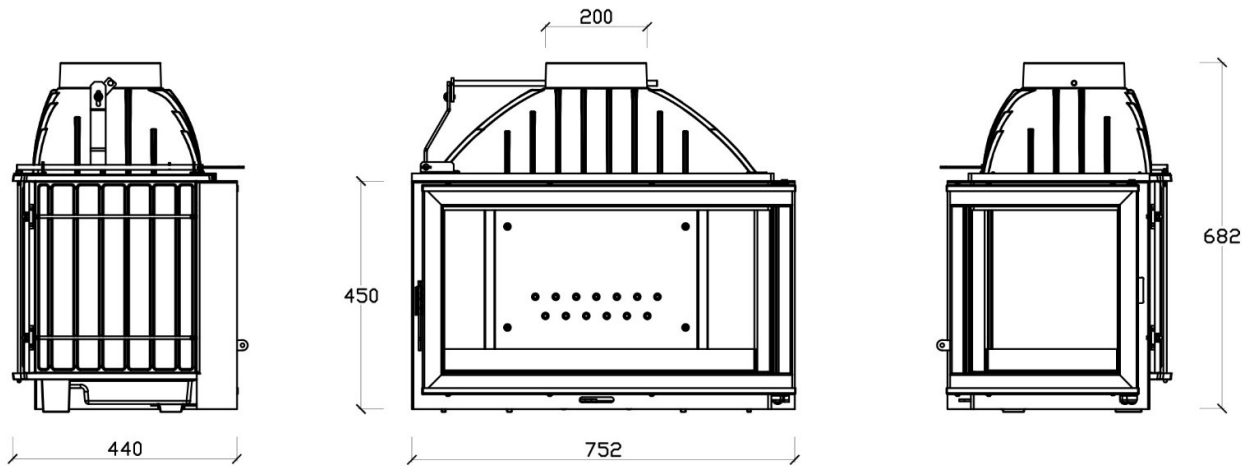
OPTIMAL POWER	11 KW
HEATING VOLUME	150 m ³ / 330 m ³
HEATING AREA	65 m ² / 140 m ²
GREEN FLAME	7 *
DESIGN	MODERN
CHIMNEY DIAMETER	200 mm
RAW METERIAL	CAST IRON / STEEL
PAINT	ANTHRACITE
GLASS	CERAMIC 750 C
DIMENSIONS	752 mm / 440 mm / 682 mm
GUARANTEE	5 YEARS
COMBUSTIBLE	WOOD
WEIGHT	107 KG



TOMARA

C S 750 CORNER RIGHT

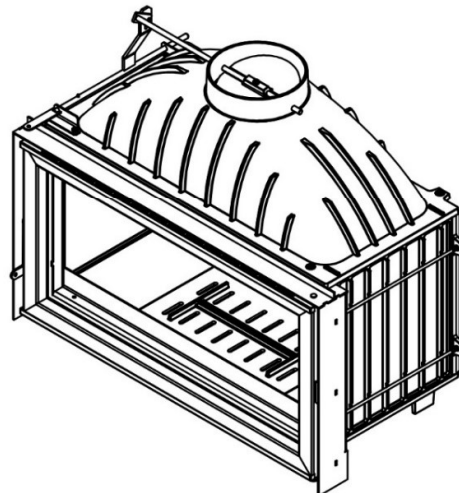
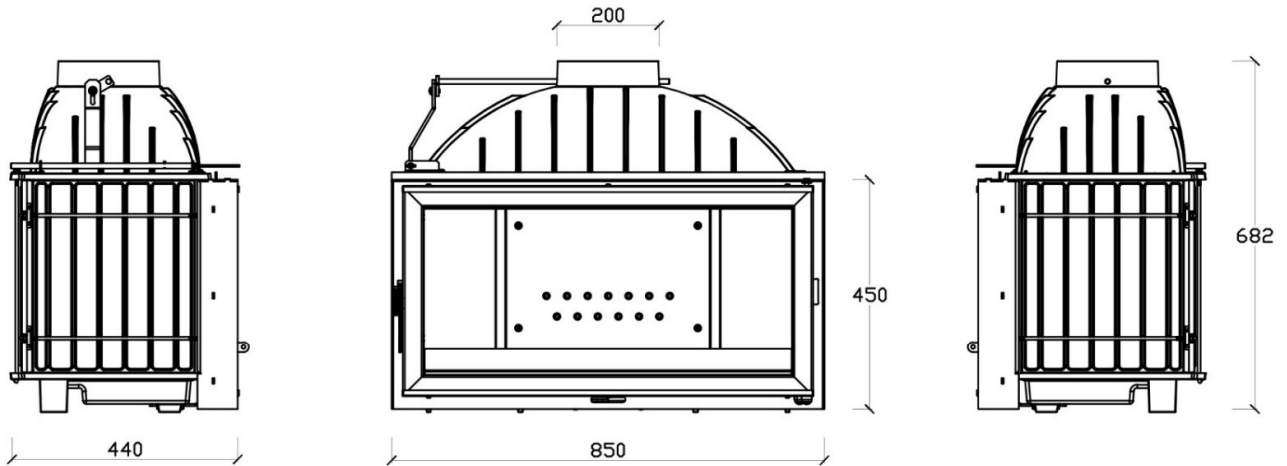
OPTIMAL POWER	11 KW
HEATING VOLUME	150 m ³ / 330 m ³
HEATING AREA	65 m ² / 140 m ²
GREEN FLAME	7 *
DESIGN	MODERN
CHIMNEY DIAMETER	200 mm
RAW METERIAL	CAST IRON / STEEL
PAINT	ANTHRACITE
GLASS	CERAMIC 750 C
DIMENSIONS	752 mm / 440 mm / 682 mm
GUARANTEE	5 YEARS
COMBUSTIBLE	WOOD
WEIGHT	107 KG



TOMARA

C S 850 FRONT

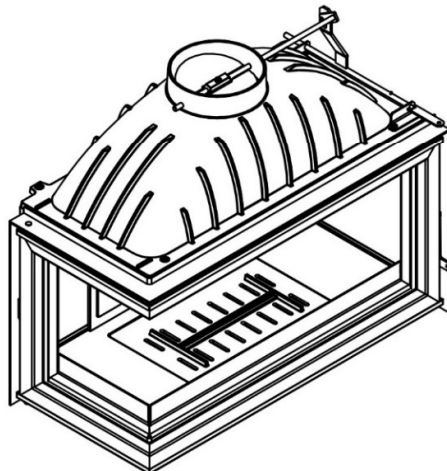
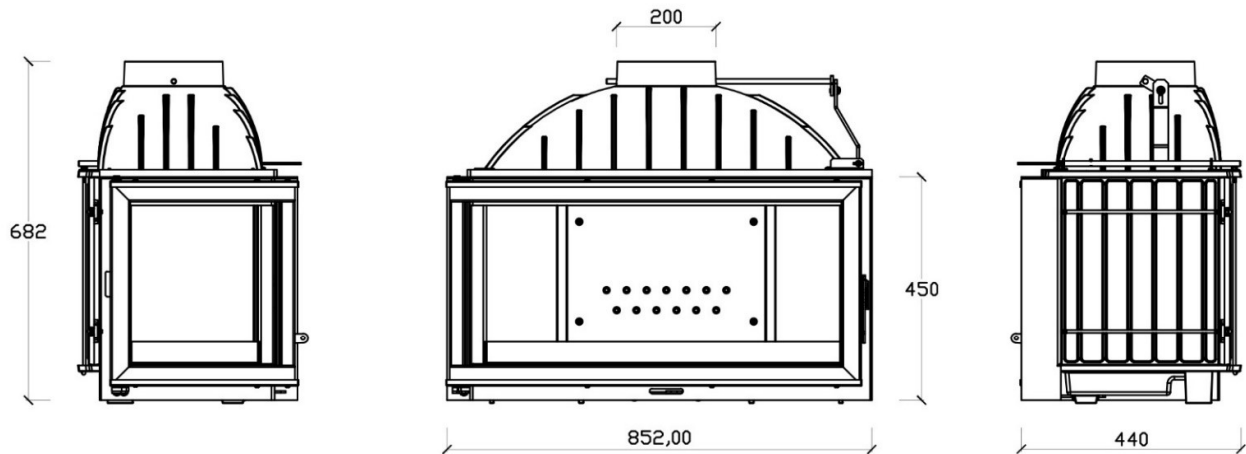
OPTIMAL POWER	13 KW
HEATING VOLUME	180 m ³ / 395 m ³
HEATING AREA	80 m ² / 170 m ²
GREEN FLAME	7 *
DESIGN	MODERN
CHIMNEY DIAMETER	200 mm
RAW METERIAL	CAST IRON / STEEL
PAINT	ANTHRACITE
GLASS	CERAMIC 750 C
DIMENSIONS	850 mm / 440 mm / 682 mm
GUARANTEE	5 YEARS
COMBUSTIBLE	WOOD
WEIGHT	118 KG



TOMARA

C S 850 CORNER LEFT

OPTIMAL POWER	13 KW
HEATING VOLUME	180 m ³ / 395 m ³
HEATING AREA	80 m ² / 170 m ²
GREEN FLAME	7 *
DESIGN	MODERN
CHIMNEY DIAMETER	200 mm
RAW MATERIAL	CAST IRON / STEEL
PAINT	ANTHRACITE
GLASS	CERAMIC 750 C
DIMENSIONS	852 mm / 440 mm / 682 mm
GUARANTEE	5 YEARS
COMBUSTIBLE	WOOD
WEIGHT	116 KG



TOMARA

C S 850 CORNER RIGHT

OPTIMAL POWER	13 KW
HEATING VOLUME	180 m ³ / 395 m ³
HEATING AREA	80 m ² / 170 m ²
GREEN FLAME	7 *
DESIGN	MODERN
CHIMNEY DIAMETER	200 mm
RAW METERIAL	CAST IRON / STEEL
PAINT	ANTHRACITE
GLASS	CERAMIC 750 C
DIMENSIONS	850 mm / 440 mm / 682 mm
GUARANTEE	5 YEARS
COMBUSTIBLE	WOOD
WEIGHT	116 KG

